

# AI-PMUL

## CONFIGURABLE ROGOWSKI COIL SIGNAL CONDITIONER



The universal Rogowski coil integrator AI-PMUL complements LEM's flexible clip-around coil ART and ARU range. The design is based on digital processing to give combined dynamic range, accuracy and versatility of use. It offers a wide range of output signals both RMS and instantaneous. AI-PMUL is DIN rail mounted and can be stacked for multiphase application without spacing thanks to its low power dissipation.

### Input signal

- Accuracy Class 0.5 (IEC 61869-2) <sup>[1]</sup>
- Linearity error  $\leq 0.10\%$
- Protection degree IP2X
- 35 mm DIN rail mounted
- Push-in terminals
- 4 selectable true RMS output signals: 0...20 mA, 4...20 mA, 0...5 V, 0...10 V
- 2 selectable instantaneous output signals: 225 mV, 333 mV
- 6 selectable sensitivities depending on Rogowski coil: 22.5, 70, 80, 85, 100, 120 mV/kA at 50 Hz
- 12 selectable ranges: 100, 200, 300, 400, 500, 600, 800, 1000, 1500, 2000, 4000, 5000 A
- Ambient operating temperature  $-25...+70\text{ }^{\circ}\text{C}$ .

### Advantages

- Compact design for DIN rail assembly
- High accuracy Class 0.5 (IEC 61869-2)
- Setup by user via Select / Edit buttons
- Clear status indication via bi-color led.

### Applications

- MV/LV substations: transformer condition monitoring
- Power measurement: current measurement for active power calculation
- Building sub-metering: energy efficiency monitoring, consumption analysis and cost allocation
- Power quality monitoring: electrical loads and distribution system equipment
- Fault Detection, Isolation and Repair (FDIR)
- Remote Terminal Units (RTU).

### Standards

- Safety: IEC 61010-1: 2017
- EMC: IEC 61326-1: 2012
- UL 61010-1: Rev. 2016
- CAN/CSA C22.2 61010-1-12: Rev. 2016.

### Options

- Cross Power Plug-in: side contacts to stack up to 3 Integrator modules and use only one power supply.

[1] AI-PMUL Integrators fulfill accuracy class limits defined by IEC 61869-2 even if this standard does not apply to Rogowski integrators. See detailed curve of accuracy given in this document.

### Material and Insulation coordination

Parameter	Symbol	Unit	Value	Comment
RMS voltage for AC insulation test, 50 Hz, 1 min	$U_d$	kV	1.5	Between power supply 24 V and Rogowski connection + output
Flammability according to UL94	-	-	V0	-
Material	-	-	Polyamide	Halogen free

### Environmental characteristics

Parameter	Symbol	Unit	Value	Comment
Ambient operating temperature	$T_A$	°C	-25...+70	
Ambient storage temperature	$T_{A.st}$	°C	-40...+85	
Relative humidity (non-condensing)	$RH$	%	95	
Altitude above sea level	-	m	2000	
Mass	$m$	g	58	

### Mechanical characteristics

Parameter	Symbol	Unit	Value	Comment
General dimensional tolerance	-	mm	±1	
Dimensions	-	mm <sup>3</sup>	100 × 78 × 15	
Mounting on DIN rail (IEC 60715)	-	-	TH35-7.5 TH35-15	

### Power Supply

Parameter	Symbol	Unit	Value	Comment
24 V DC Supply voltage	$U_{C.DC}$	V	+10...+32	
Current consumption	$I_C$	mA	max. 100	at 24 V
Auxiliary supply through micro-USB		V	5	For product configuration only

### Input Signal

Parameter	Symbol	Unit	Data	Comment
Rogowski coil sensitivity selection			With push buttons	See product configuration description
Selection indication			bi-color LED	Green: Current range Red: Sensitivity & Output
Rogowski coil sensitivities		mV/kA	22.5, 70, 80, 85, 100, 120	At 50 Hz
Typical input impedance		kΩ	10	
Rated frequency	$f_r$	Hz	50...60	Automatic recognition of grid frequency
Frequency bandwidth (at 3 dB)	$BW$	Hz	10...1500	Measurement bandwidth
Current measurement range selection			With push buttons	
Current measurement range		A	100, 200, 300, 400, 500, 600, 800, 1000, 1500, 2000, 4000, 5000	
Overcurrent measurement range		%	120	Overcurrent based on maximum value of the range selected
Short time withstand current on primary for 3 s <sup>[1]</sup>		kA	130	Worst case scenario with a Rogowski coil sensitivity of 120mV/kA

### Output Signal

Parameter	Symbol	Unit	Min	Typ	Max	Comment
0...20 mA true RMS current output mode	$I_{out}$	mA	0	-	24	20 mA @ 100% I range
4...20 mA true RMS current output mode	$I_{out}$	mA	4	-	23.2	20 mA @ 100% I range
0...5 V true RMS voltage output mode	$U_{out}$	V	0	-	6	5 V @ 100% I range
0...10 V true RMS voltage output mode	$U_{out}$	V	0	-	12	10 V @ 100% I range
225 mV instantaneous voltage output mode	$U_{out}$	mV	0	-	270	225 mV RMS @ 100% I range
333 mV instantaneous voltage output mode	$U_{out}$	mV	0	-	400	333 mV RMS @ 100% I range
Load resistance (all current output mode)	$R_L$	Ω	0	-	500	
Load resistance (all voltage output mode)	$R_L$	kΩ	1	-	-	
Temperature drift (all output mode)	$TCS$	ppm/K	-	-	150	From -25 °C ... +70 °C
Phase displacement @ 50 Hz or 60 Hz <sup>[2]</sup>	$\Delta\phi$	-	-	-	0.5°	
Accuracy class	-	-	-	0.5 <sup>[3]</sup>	-	
Linearity error	$\epsilon_L$	%			0.1	
Delay time to 10% of the final output value for $I_{PN}$ step (true RMS) current rise	$t_{D10}$	ms			45	
Delay time to 90% of the final output value for $I_{PN}$ step (true RMS) current rise	$t_{D90}$	ms			160	
Delay time to 10% of the final output value for $I_{PN}$ step (true RMS) current fall	$t_{D10}$	ms			65	
Delay time to 90% of the final output value for $I_{PN}$ step (true RMS) current fall	$t_{D90}$	ms			190	

[1] Maximum AI-PMUL input voltage of 16 V for 3 s equivalent of measurement of short time current of 130 kA for 3 s with a Rogowski coil of 120 mV/kA sensitivity. For higher short time current rated network please consult our technical team.

[2] Value for instantaneous signal output and steady state primary current.

[3] AI-PMUL Integrators fulfill accuracy class limits defined by IEC 61869-2 even if this standard does not apply to Rogowski integrators. See detailed curve of accuracy given in this document.

### Definition of typical, minimum and maximum values

Minimum and maximum values for specified limiting and safety conditions have to be understood as such as well as values shown in “typical” graphs.

On the other hand, measured values are part of a statistical distribution that can be specified by an interval with upper and lower limits and a probability for measured values to lie within this interval.

Unless otherwise stated (e.g. “100 % tested”), the LEM definition for such intervals designated with “min” and “max” is that the probability for values of samples to lie in this interval is 99,73 %.

For a normal (Gaussian) distribution, this corresponds to an interval between  $-3$  sigma and  $+3$  sigma.

If “typical” values are not obviously mean or average values, those values are defined to delimit intervals with a probability of 68,27 %, corresponding to an interval between  $-\text{sigma}$  and  $+\text{sigma}$  for a normal distribution.

Typical, minimum and maximum values are determined during the initial characterization of the product.

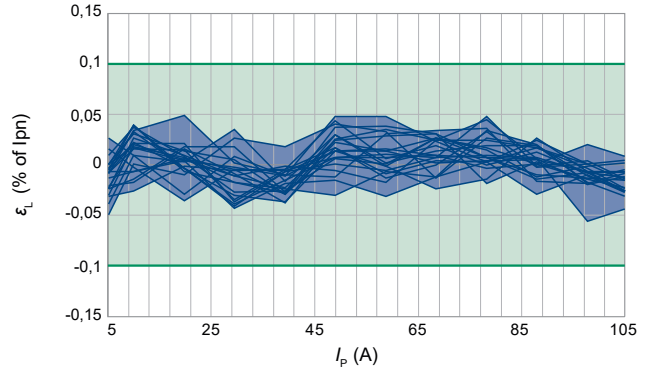
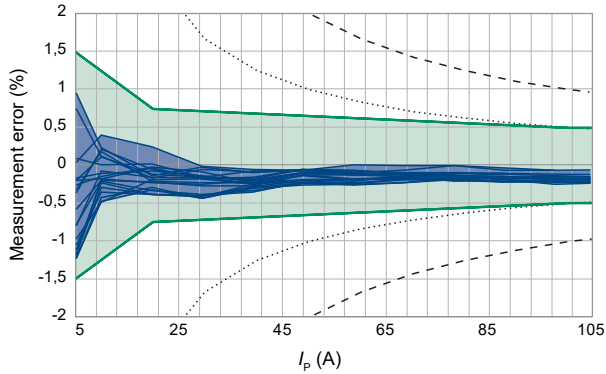
### Compatibility between current range selected and Coil sensibility selected

Current range and coil sensibility should be chosen according to the table below.

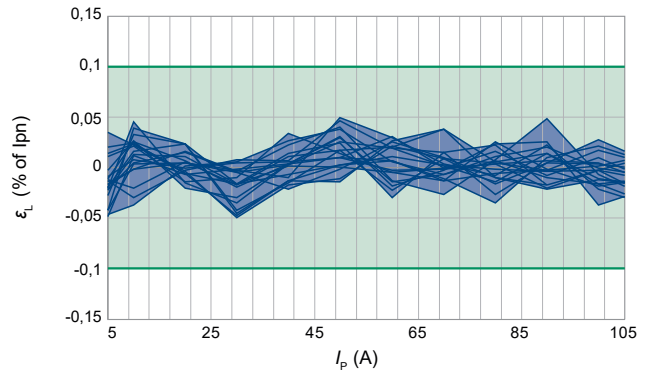
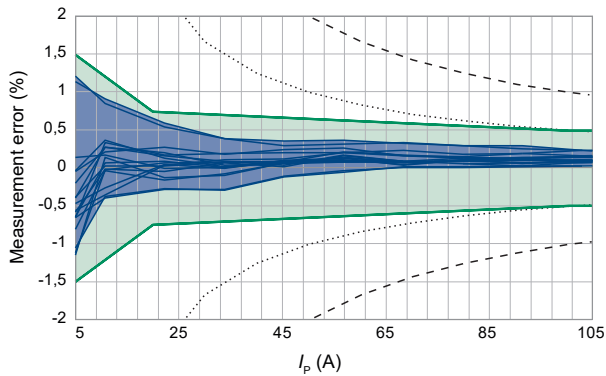
		Coil sensibility selected						
		22.5	70	80	85	100	120	
Current Range Selected	100	✓	✓	✓	✓	✓	✓	
	200	✓	✓	✓	✓	✓	✓	
	300	✓	✓	✓	✓	✓	✓	
	400	✓	✓	✓	✓	✓	✓	
	500	✓	✓	✓	✓	✓	✓	
	600	✓	✓	✓	✓	✓	✓	
	800	✓	✓	✓	✓	✓	✓	
	1000	✓	✓	✓	✓	✓	✓	
	1500	✓	✓	✓	✓	✓	✓	
	2000	✓	✓	✓	✓	✓		
	4000	✓						
	5000	✓						

Typical performance characteristics, Range 100 A

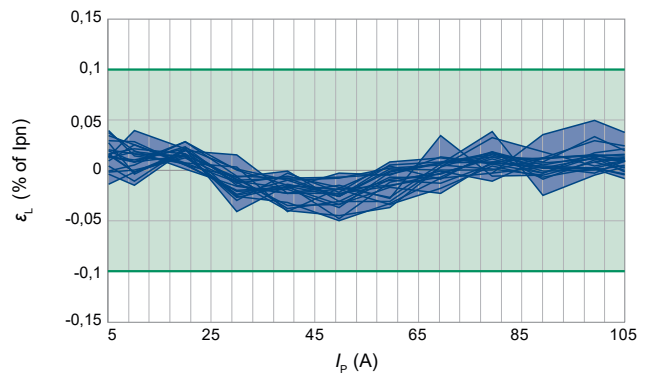
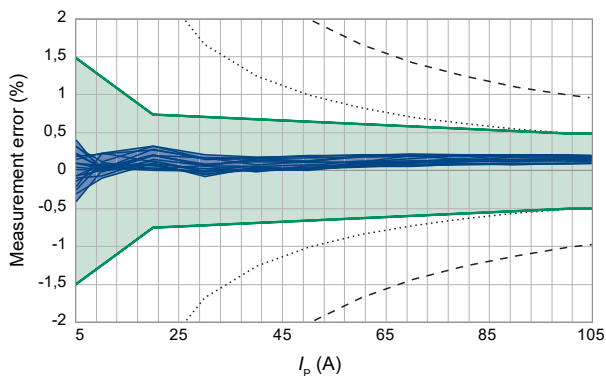
Output 0 ... 20 mA, Sensitivity 22.5 mV/kA



Output 0 ... 10 V, Sensitivity 22.5 mV/kA



Output 0 ... 225 mV, Sensitivity 22.5 mV/kA

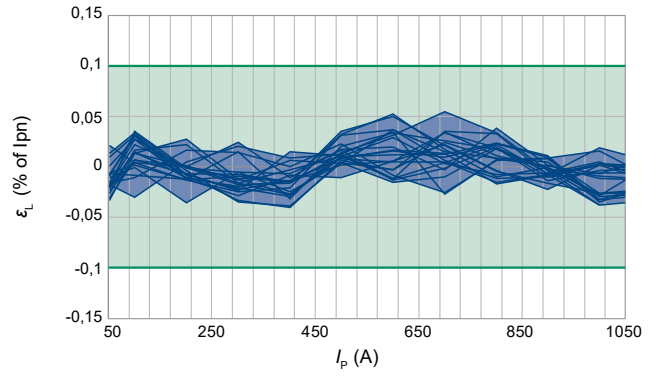
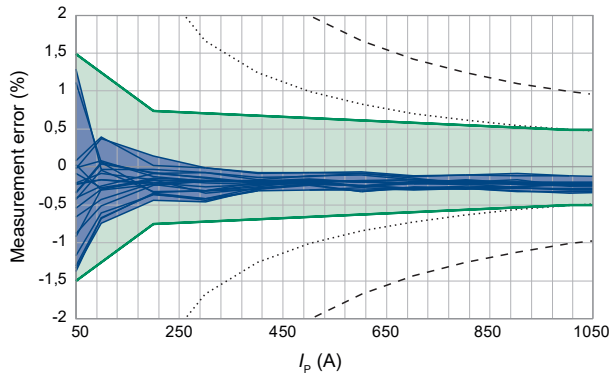


— Class 0,5      ····· Full scale error 0,5%  
— Sample results      - - - Full scale error 1%

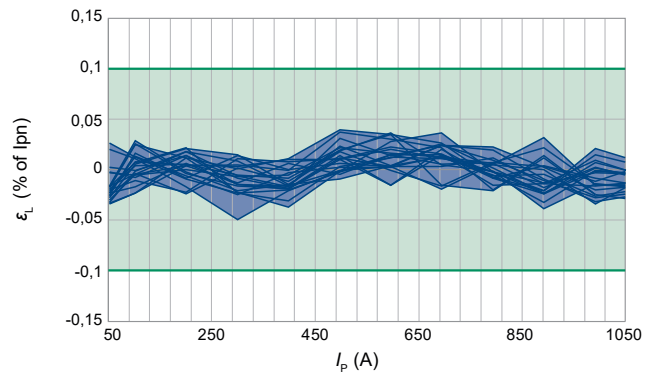
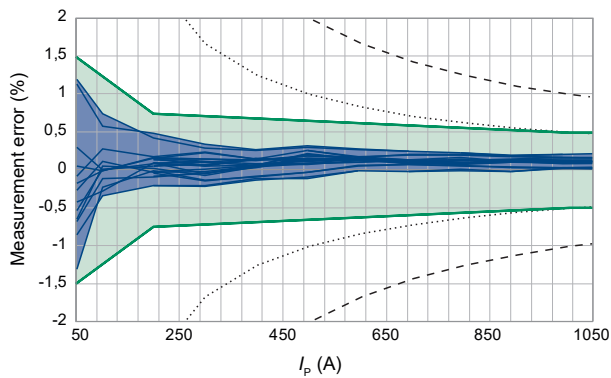
— Class 0,5  
— Sample results

Typical performance characteristics, Range 1000 A

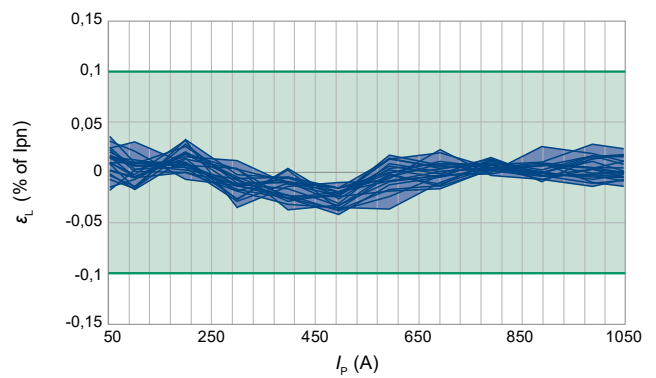
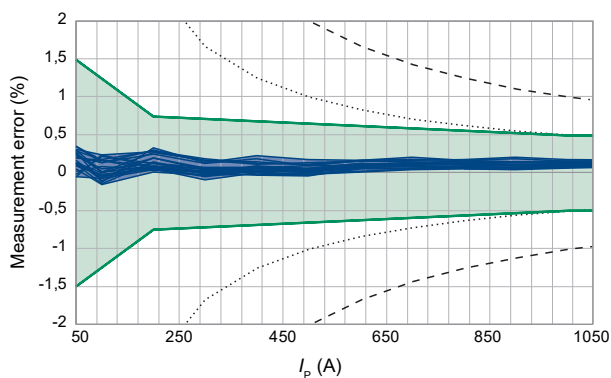
Output 0 ... 20 mA, Sensitivity 22.5 mV/kA



Output 0 ... 10 V, Sensitivity 22.5 mV/kA



Output 0 ... 225 mV, Sensitivity 22.5 mV/kA



— Class 0,5      ····· Full scale error 0,5%  
— Sample results      - - - Full scale error 1%

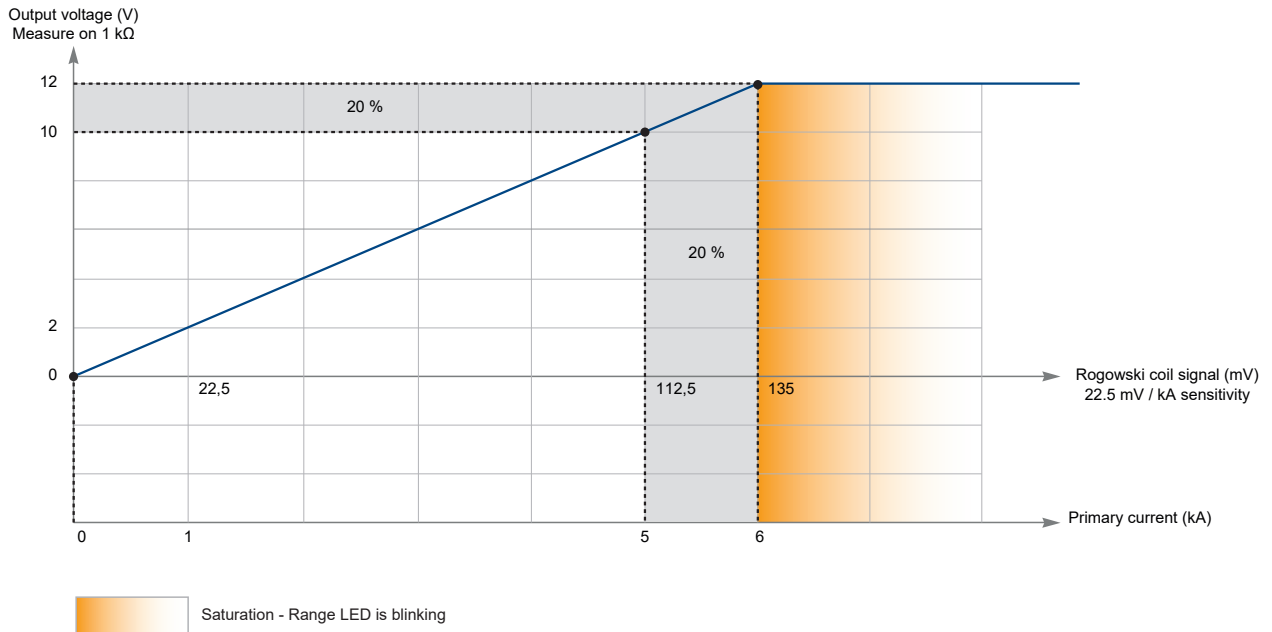
— Class 0,5  
— Sample results

### Example of application

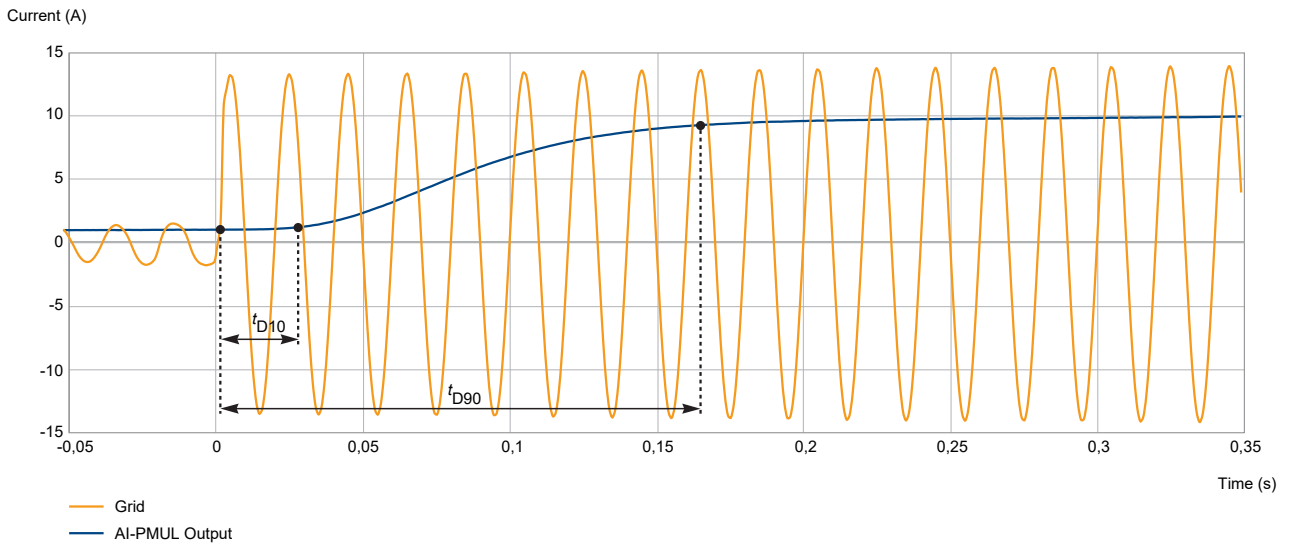
Product configuration:

- Range (green LED): 5000 A
- Output signal (red LED): 0 ... 10 V
- Sensitivity (red LED): 22.5 mV/kA

The graph hereafter give conversion between the primary current, the voltage output of Rogowski coil and the output voltage of the AI-PMUL.

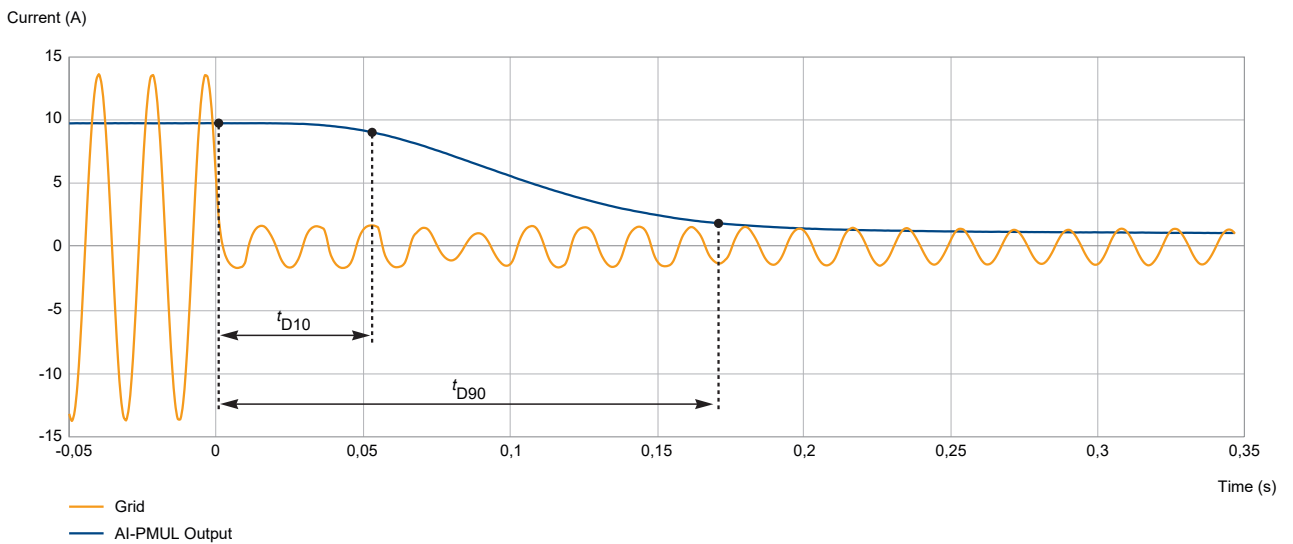


Example of typical transient response output 0 ... 10 V



Current rise

- $t_{D10} < 45 \text{ ms}$
- $t_{D90} < 160 \text{ ms}$

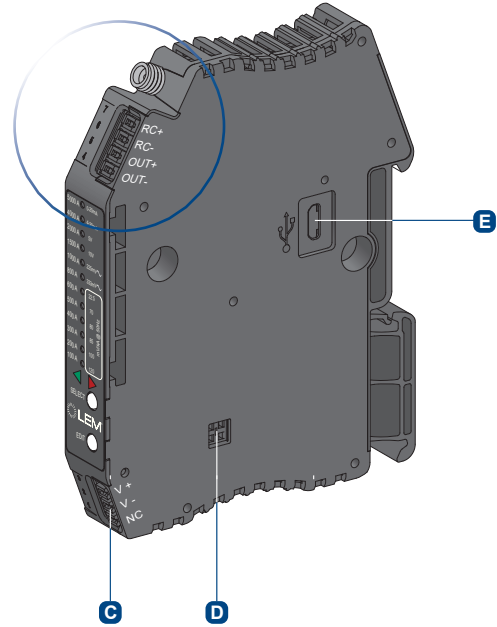
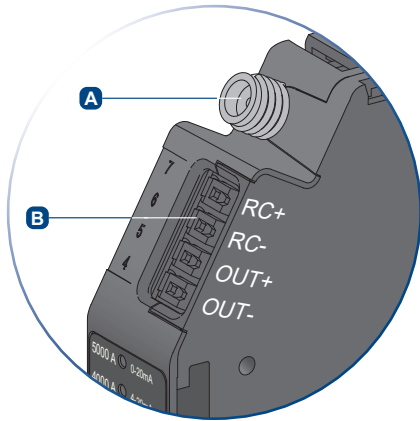


Current fall

- $t_{D10} < 65 \text{ ms}$
- $t_{D90} < 190 \text{ ms}$



**Connections and Interfaces**



- A SMA Input for Rogowski coil (optional)**  
Section: 0.13 ... 1.5 mm<sup>2</sup>
- B Terminal input coil and output signal**  
Section: 0.13 ... 1.5 mm<sup>2</sup>
- C Power supply terminals (DC, 24 V)**  
Section: 0.13 ... 1.5 mm<sup>2</sup> (24 ... 16 AWG)  
Third pin not connected

- D Cross Power plug-in**  
Side contacts to stack up to 3 Integrator modules and use only 1 power supply.
- E Micro USB**  
Energise AI-PMUL for configuration without connecting 24 V DC supply.

Parameter	Unit	Min	Typ	Max	Comment
Type			Push-in		
Clamping range	mm <sup>2</sup>	0.13	-	1.5	
Cross section	AWG	24	-	16	
Stripping length	mm	9.5	10	10.5	

AI-PMUL series: name and codification

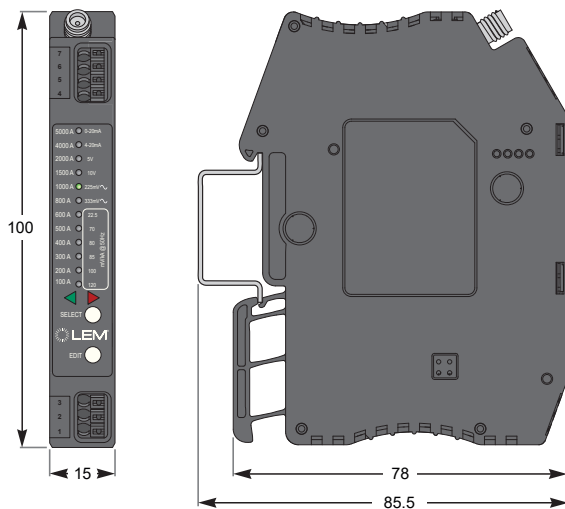
# AI-PMUL

**Family:**  
AC Integrator

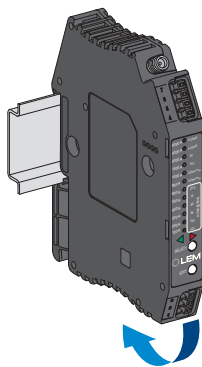
**Case type / Output signal:**  
P: DIN RAIL mounting / MUL: Multiple output

Description	Item Number	Comment
AI-PMUL	90.T5.99.000.0	Integrator Low Power standard for automation applications
AI ACCESSORY KIT M1 CROSS POWER PLUG-IN	90.T8.98.000.0	Cross Power plug-in accessory: Kit to connect 2 integrators power supplies

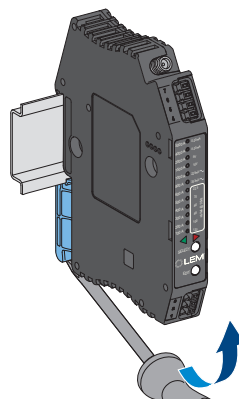
Dimensions (in mm)



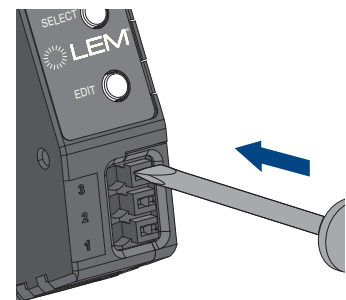
Installation, removal, wiring



To install, rotate terminal to mount on the rail DIN



To remove the device, use a 4 mm flat screwdriver



To remove wiring easily, use any tools or a 2.5 mm flat screwdriver

## Safety and warning notes

**In order to guarantee safe operation of the signal conditioner and to be able to make proper use of all features and functions, please read these instructions thoroughly!**

**Safe operation can only be guaranteed if the signal conditioner is used for the purpose it has been designed for and within the limits of the technical specifications.**

### Caution

Ignoring the warnings can lead to serious injury and/or cause damage! The electric measuring signal conditioner may only be installed and put into operation by qualified personnel that have received an appropriate training. The corresponding national regulations shall be observed during installation and operation of the signal conditioner and any electrical conductor. The signal conditioner shall be used in electric/electronic equipment with respect to applicable standards and safety requirements and in accordance with all the related systems and components manufacturers' operating instructions.

The product must be powered by a limited power source. The product shall be operated with Rogowski Coil compliant with IEC 61010-2-032. Consistency of measurements during maintenance operations shall be checked. Consistency of measurement during commissioning and maintenance shall be checked with suitable means (clamp-on ammeter). Product shall not saturate .

### Caution, possibility of electric shock

When operating the signal conditioner, certain parts next to the signal conditioner may carry hazardous live voltage. The user shall ensure to take all measures necessary to be protected against electrical shock. Certain parts may contain conducting parts that shall not be accessible after installation. A protective enclosure or additional insulation barrier may be necessary. Installation and maintenance shall be done with the main power supply disconnected except if there are no hazardous live parts in or in close proximity to the system and if the applicable national regulations are fully observed.

Safe and trouble-free operation of this signal conditioner can only be guaranteed if transport, storage and installation are carried out correctly and operation and maintenance are carried out with care. The signal conditioner shall not be opened or modified. If not working, the signal conditioner shall be replaced by an equivalent device. To avoid electrical burn, electric shock or arc flash, do not install Rogowski coils on or remove them from hazardous live conductors. Any connection to the product shall fulfil the requirements for safety extra low voltage (SELV) circuits.

